

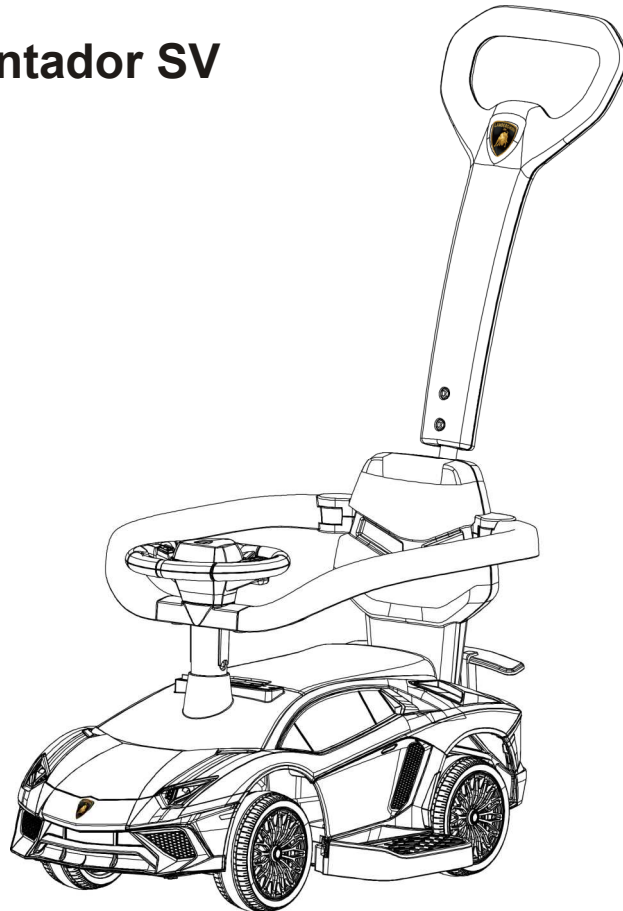


A8810P / FR3444

Lamborghini 3 in 1

Lamborghini Aventador SV

Official Licensed Product



Picture for reference only. Please refer to real object.



ASTM-F963

Important

Warning!

Age: 3Years +
Maximum user
weight: 30KGS

1. For family and domestic use only
2. Not to be used in traffic
3. Adult assembly required

Important - Please read these instructions fully before assembly or use

These instructions contain important information which will help you to get the best from your product and ensure safe and correct assembly, use and maintenance.

W8810P001

Table of Contents

- 1. About Your New Vehicle*
- 2. Safety Information*
- 3. Parts List*
- 4. Parts Diagram*
- 5. Assembly Steps*
- 6. How To Operate Your Vehicle*
- 7. Maintaining Your Vehicle*

About Your New Vehicle

Thank you for purchasing our products, we want your child to enjoy this product for years to come.

Keep these points in mind as you read this guide:

Suitable age:	3 Years +		
Load Capacity:	Under 30 KGS		
Material:	PP	Optimum Temperature:	Below 40°C Avoid to use under burning sun

Safety Information

WARNING!

• **General safety:**

- Where products need assembly they must always be assembled by an adult. As a parent/carer, it is also your responsibility to check the tightness of screws, nuts and bolts before each use and if necessary, adjust and re-tighten.
- This product may contain small parts and it is your responsibility as a parent/carer to exclude children from the area during assembly due to small parts.
- Remove protective material and poly bags and dispose of them responsibly before giving the assembled product to your child.
- Remember to retain these instructions for future reference.
- We have tried to make our toys as simple as possible to assemble but inevitably there will be one or two slightly more complex tasks.

Positioning :

- Do not allow your child to ride at night or in poor light conditions.
- Do not let your child play near steps, swimming pools / spas or other sources of water, on slopes, on streets or around cars, even if parked on your own property.
- It is prohibited to drive/use this product on the public highway.
- This product is designed to be used on smooth surfaces and should not be used on soft ground or in the rain or snow.

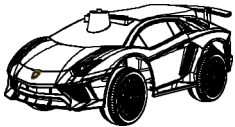
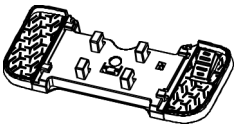

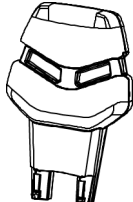

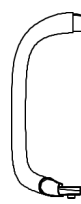

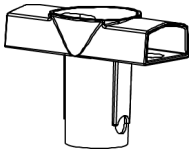
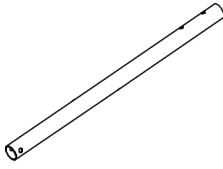

Before use:

- Very Important. You Must Charge & Connect The Battery Before First Use.
- Dispose of all packaging material responsibly before giving this product to your child.
- Check tightness of all components before giving this product to your child.

During use:

- This product is only suitable for children 3 years and older.
- The toy should be used with caution since skill is required to avoid falls or collisions causing injury to the user or third parties.
- The maximum rider weight capacity for this product is 30Kg. Do not overload.
- Adult supervision is highly recommended when children play with wheeled toys. Your child's safety is your concern.
- Do not allow the child to ride with bare feet or without suitable footwear.
- Ensure the child keeps clothing, hands, hair, fingers and feet away from moving parts.
- The use of protective gear including approved helmets, gloves and pad is recommended.
- Store this product at room temperature; do not leave it outside or uncared for.
- Never let any child play with the battery or charger at any time, or let them charge the product.
- Do not use if product is faulty or damaged.
- Do not tamper with the battery or electrical parts inside the product.

Parts List

PART NO	PART NAME	PICTURE	Qty (pcs)	REMARKS	PART NO	PART NAME	PICTURE	Qty (pcs)	REMARKS
1	Vehicle body		1		2	Footboard		1	
3	Steering wheel		1		4	Backrest		1	
5	Handspike		1		6	Left Handrail		1	
7	Right Handrail		1		8	Fixing part		1	
9	Circular tube		1		10	Instruction manual		1	

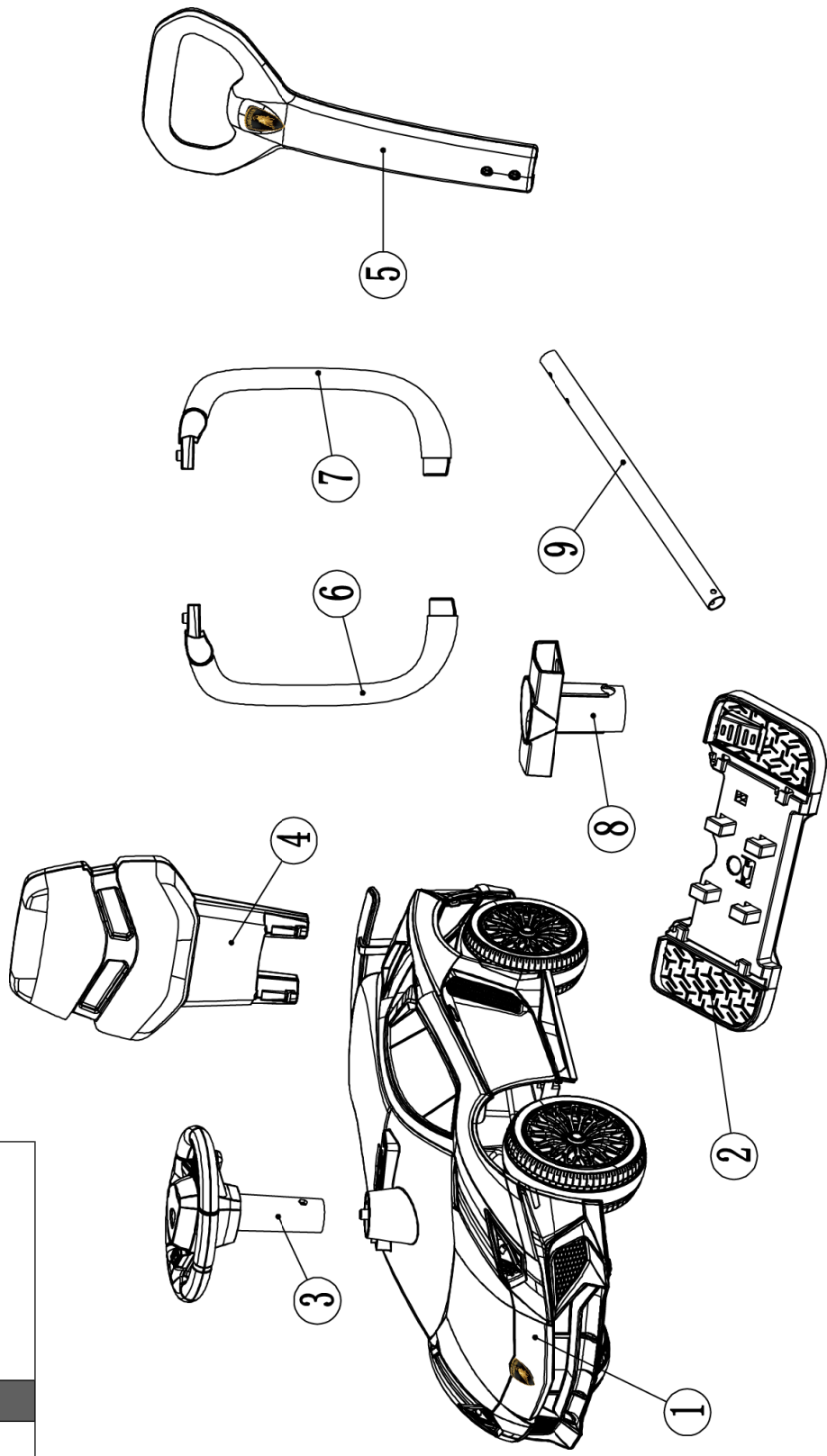
Screw Assembly package

A	M5X28 Bolt	1	Install the circular tube
B	M5X30Bolt	2	Install the handspike
C	Nut	3	

Parts Diagram

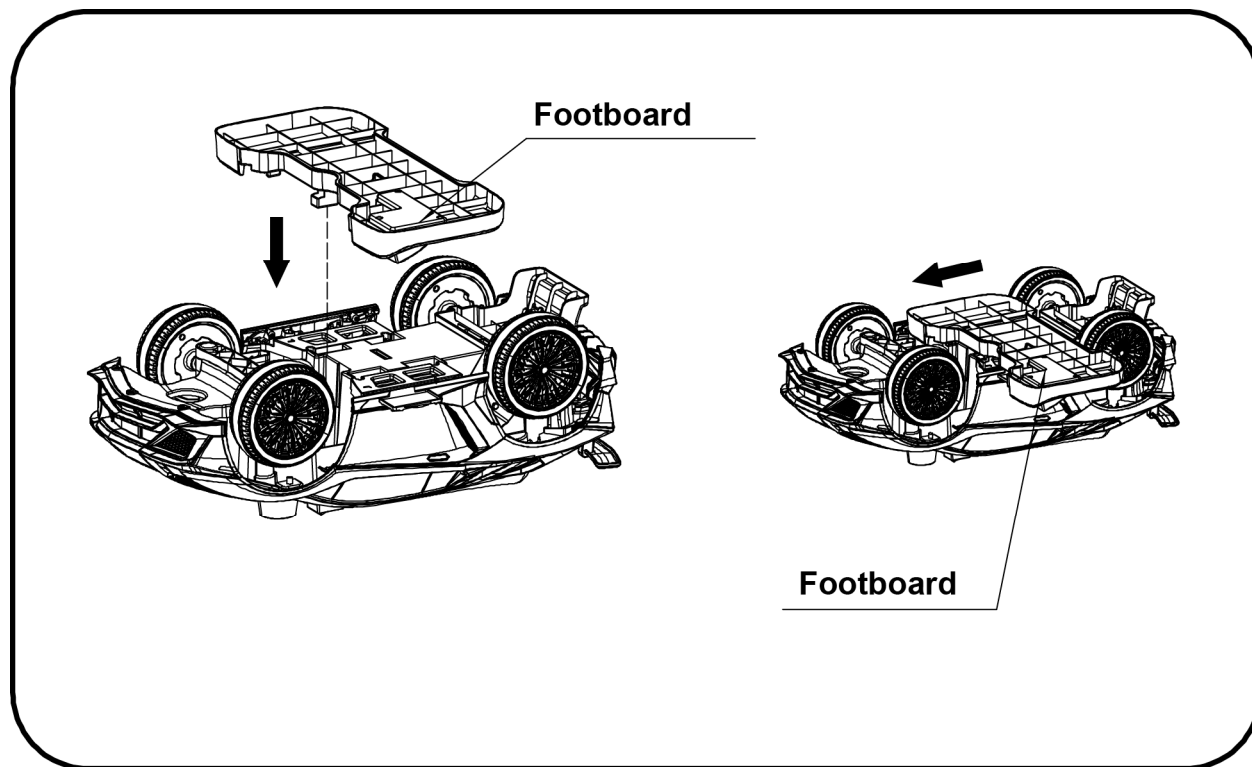
1	Vehicle body *1	2	Footboard *1
3	Steering wheel *1	4	Backrest *1
5	Handspike*1	6	Left Handrail *1
7	Right Handrail *1	8	Fixing part *1
9	Circular tube *1		

NOTE: Some Parts Shown are assembled on both sides of vehicle



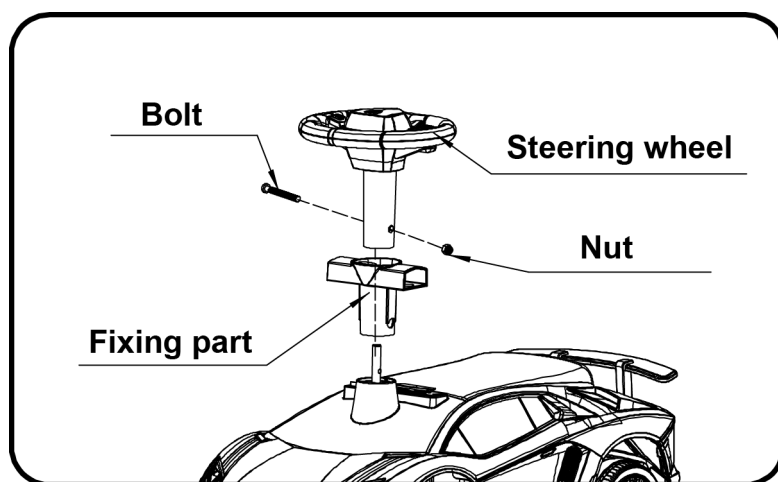
Assembly Steps

1. Install the footboard.



- As shown in the picture, install the footboard to the corresponding place, also push the footboard forward in the direction of the arrow and make sure to fit in position.

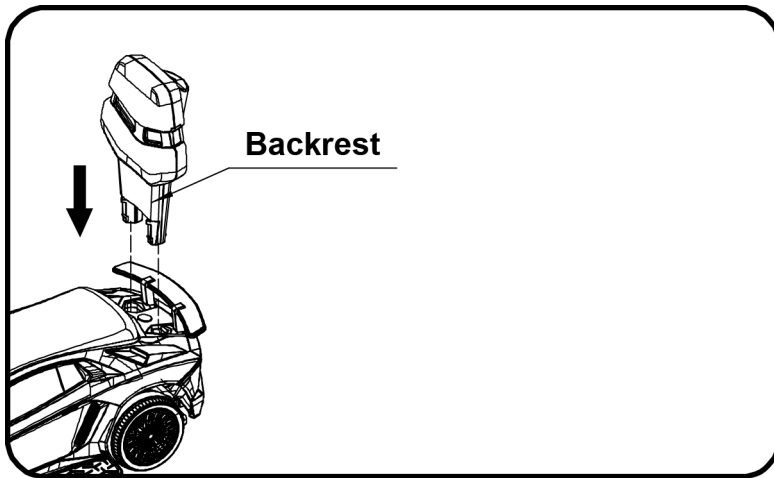
2. Install the steering wheel.



- Remove the bolt from the steering wheel.
- As shown in the picture, install the fixing part to the corresponding place.
- As shown in the picture, install the steering wheel to the corresponding place, and fasten with bolt.

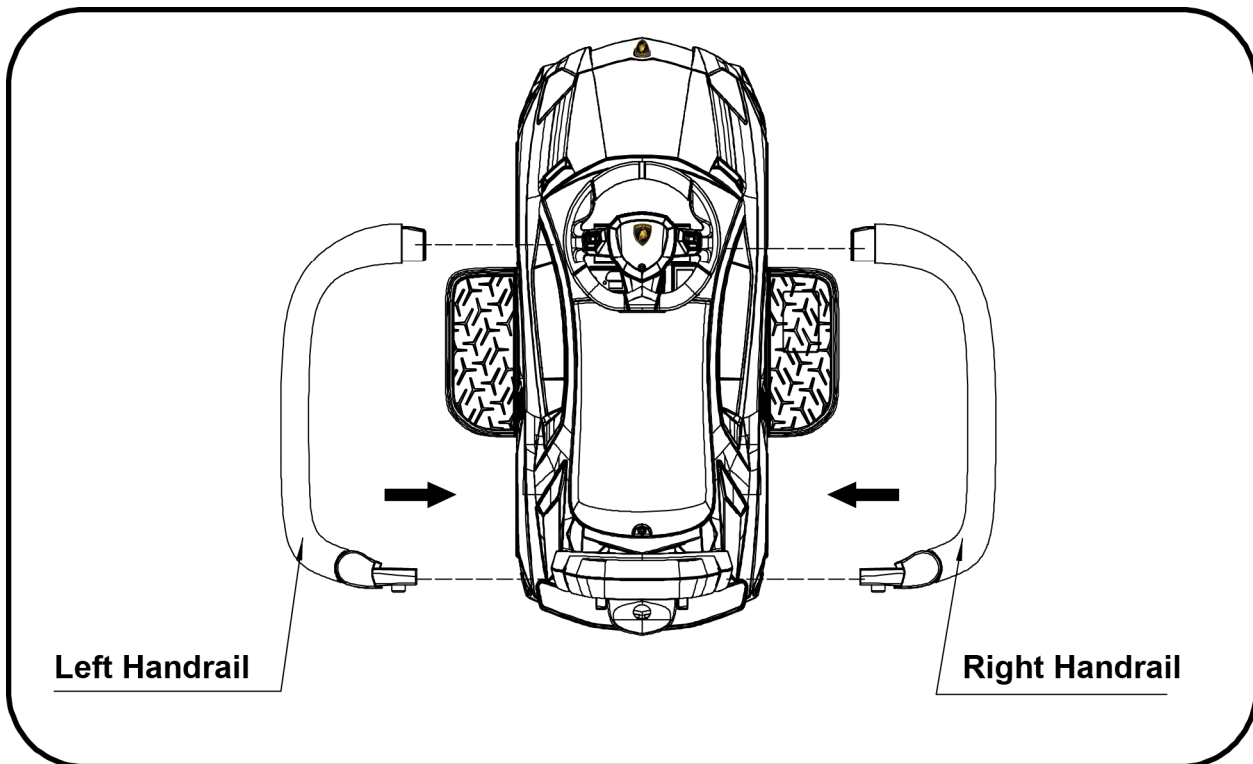
Assembly Steps

3. Install the backrest.



- As shown in the picture, press the backrest downward to fix it.

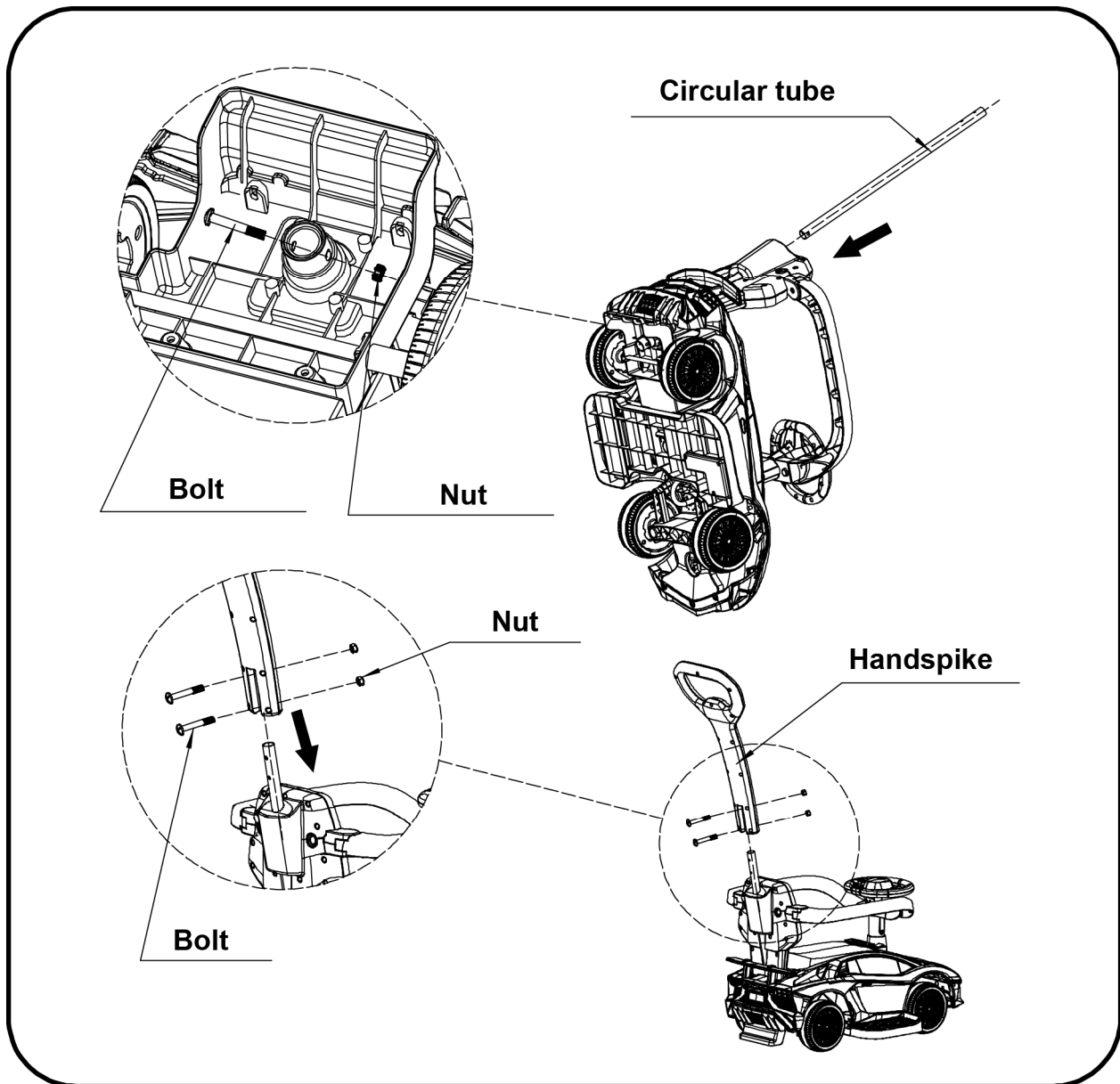
4. Install the handrail.



- As shown in the picture, install the handrail to the corresponding place.

Assembly Steps

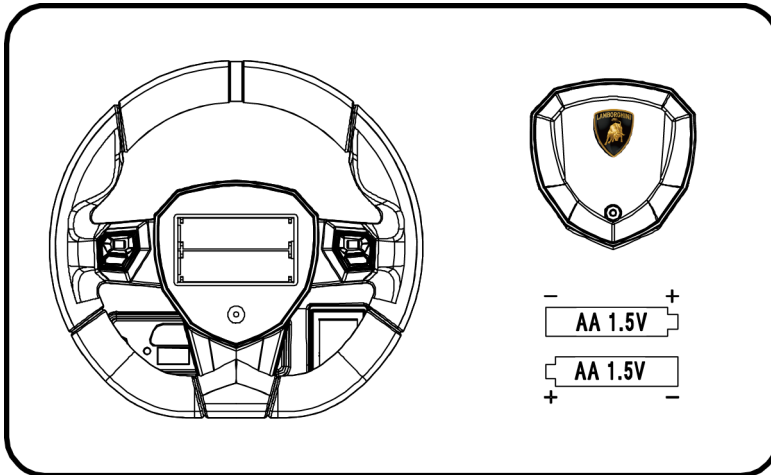
5. Install the handspike.



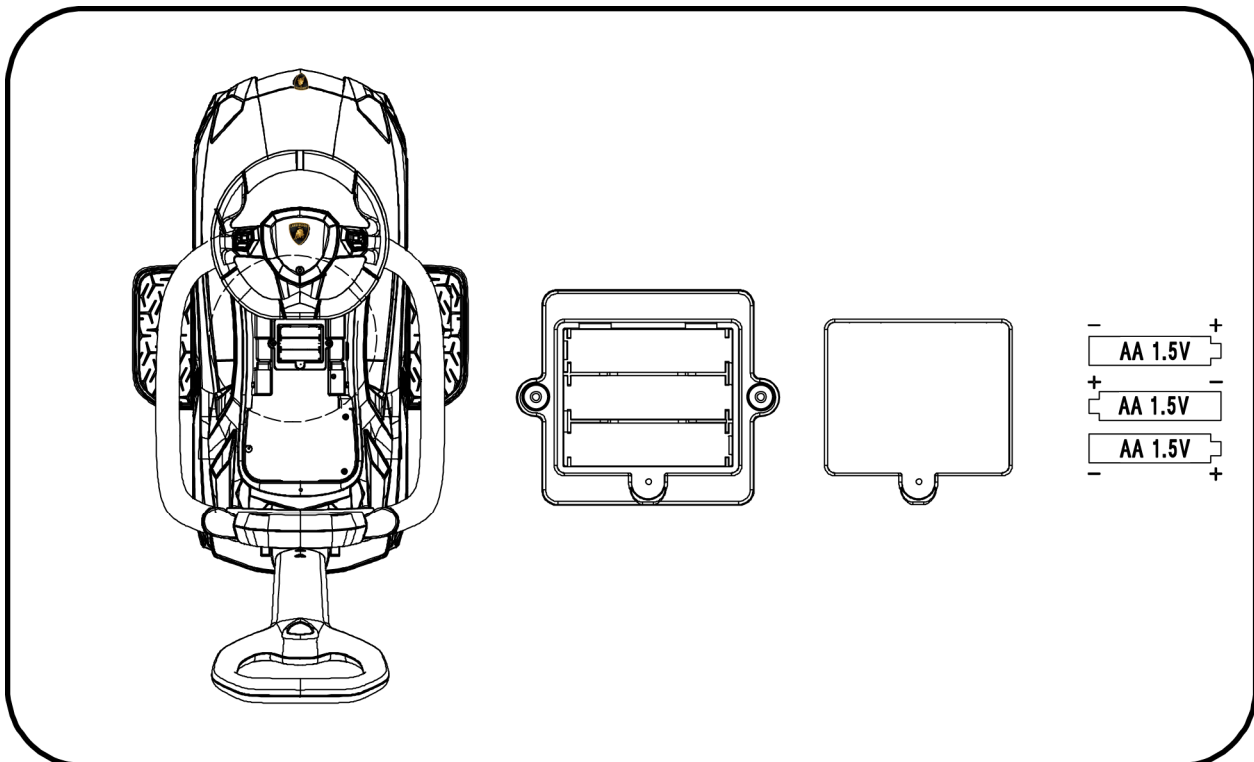
- As shown in the picture, install the circular tube to the corresponding place, and fasten with bolt and nut.
- As shown in the picture, install the handspike to the circular tube, and fasten with bolts and nuts.

Assembly Steps

6. Install the battery.



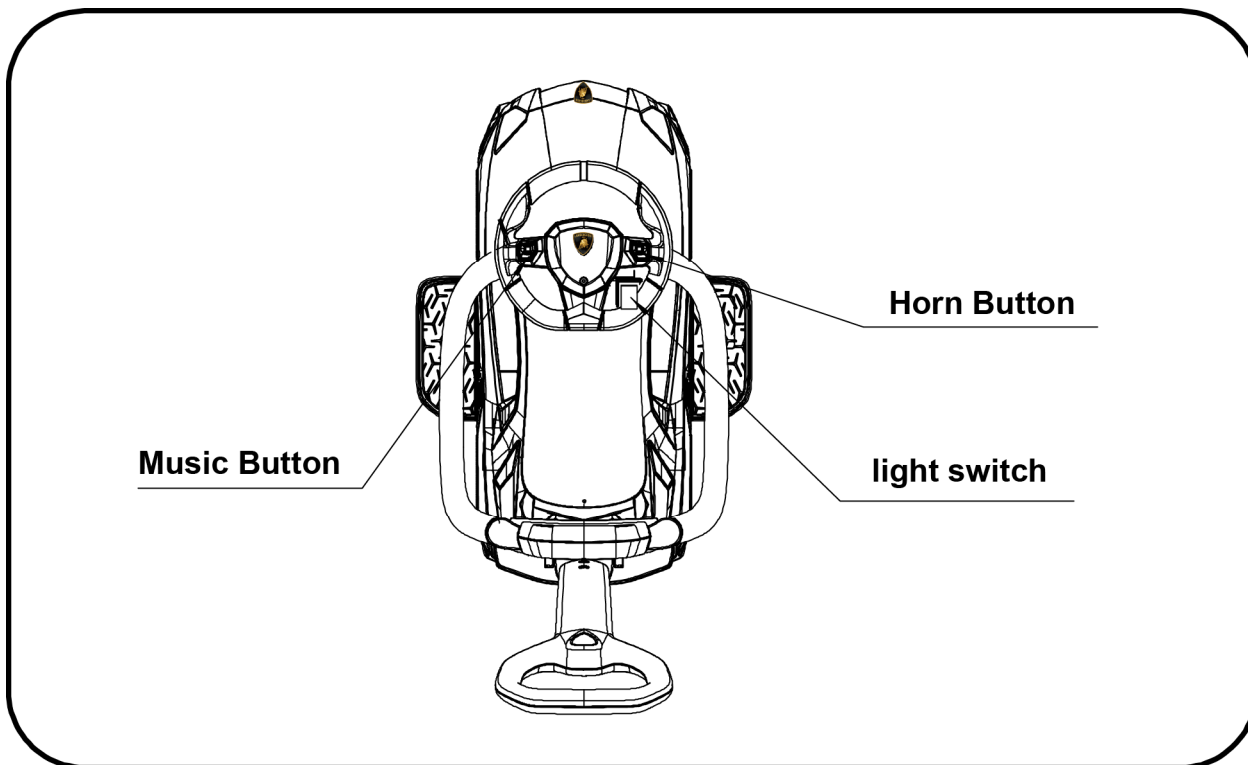
- Loosen battery cover of steering wheel control and remove the cover. Insert two AA1.5V batteries(See above photo). Replace battery cover .



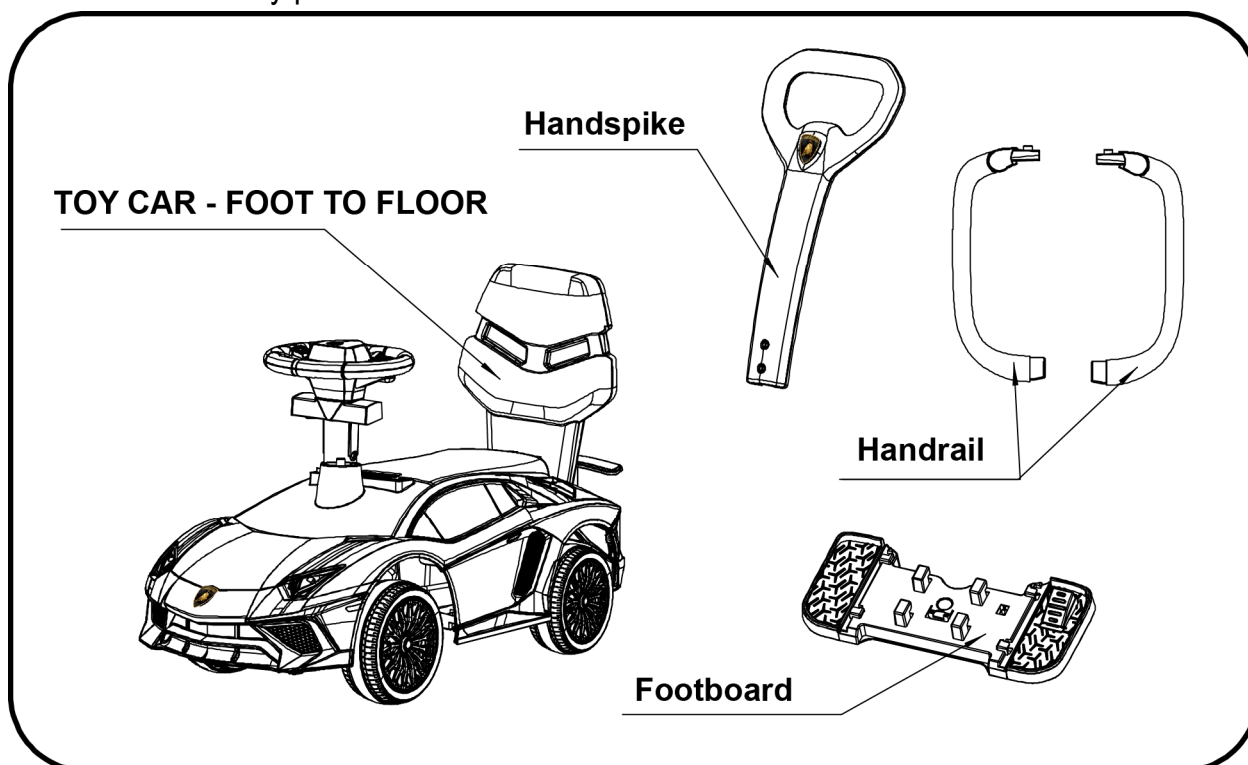
- As shown in the picture, unscrew the screw, and open the seat.
- Loosen battery cover of steering wheel control and remove the cover. Insert three AA1.5V batteries(See above photo). Replace battery cover .

How To Operate Your Vehicle

Use Operation



- Turn off the " light switch", the light is not bright.
- You can enjoy music by push music button.
- You can horn by push horn button.



- Remove the handspike, handrail and footboard from the vehicle body separately. You can turn the push car into toy car-foot to floor.

Maintaining Your Vehicle

- It is parents' responsibility to check main parts of the toy before using, must regularly examine for potential hazard, such as screws are fastening enclosure of other parts and that in the event of such damage, the toy must not be used until the damage has been properly removed.
- Make sure the plastic parts of the vehicle are not cracked or broken.
- Occasionally use a lightweight oil to lubricate moving parts such as wheels.
- Park the vehicle indoors or cover it with a tarp to protect it from wet weather.
- Keep the vehicle away from sources of heat, such as stoves and heaters. Plastic parts may melt.
- Do not wash the vehicle with a hose. Do not wash the vehicle with soap and water.
- Clean the vehicle with a soft, dry cloth. To restore shine to plastic parts, use a non-wax furniture polish. Do not use car wax. Do not use abrasive cleaners.
- Do not drive the vehicle in loose dirt, sand or fine gravel which could damage moving parts.



The "Lamborghini" and "Lamborghini Bull and Shield" trademarks, copyrights, designs and models are used under license from Automobili Lamborghini S.p.A, Italy.

Licensed manufacturer: Pinghu United Vehicles Co.,Ltd

MADE IN CHINA