

FREDDO

A023 24V FREDDO SUV



Picture is for reference only.

Please refer to real object.

 **CE ASTM-F963**

- ◆ Please read the manual carefully before assembling;
- ◆ Preserve the manual properly for future reference;
- ◆ The manual is for assembling and using reference only. Details will be possibly improved and changed, including structure, appearance, packing, functions, and etc. Please take the actual product as standard if something different from the manual.

1. Before Assembling

Warning!

Choking Hazard: Small parts, Not for kids under 3 years. Dispose plastic bags carefully.

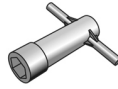
It's dangerous to kids. Adult assembly required. Use care when unpacking as components to be assembled may pose small parts/sharp edge hazard.

Check if the charger is in good state, including the wire, socket, and all details. Stop use it if it looks broken in some way, till it's fixed.

Tools required(self-provided):



Phillips screwdriver



socket wrench

2. Specifications:

Motor: 24V/555 motor(18000rpm) * 2

Battery: 24V7ah * 1

Charger: 24V1000MA/28.8V500mA

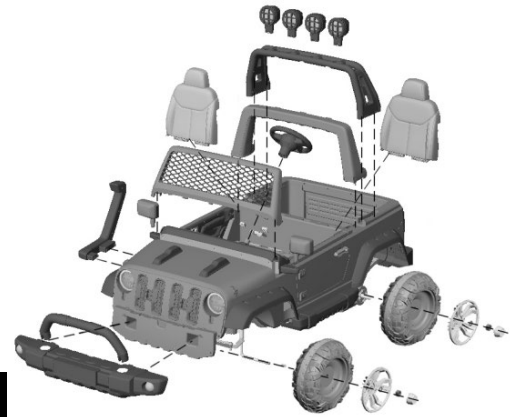
Max Speed: 5-7 km/h

Suitable Age: 3 years+

Maximum Loading Capacity: 60 kg

Item size: 1570×940×858 MM

Charging time: 8-12 hours (Battery life: 300 times charge&discharge)



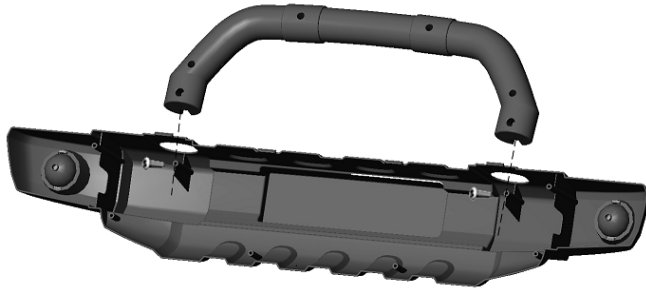
3. Exploded View and Parts List

No.	Parts Name	Qty	No.	Part Name	Qty
1	Body	1	13	Front bumper	1
2	Steer Wheel	1	14	Guide frame	1
3	Rear view mirror	2	15	Doom light	4
4	windshield	1	16	Doom light frame	1
5	Front wheel	2	17	Vehicle wading device	1
6	Driving wheel	2	18	motor	2
7	Wheel cover	4	19	Wheel eyebrow	2
8	remote	1			
9	charger	1			
10	Seats	2			
11	Screw kit	1			
12	manual	1			

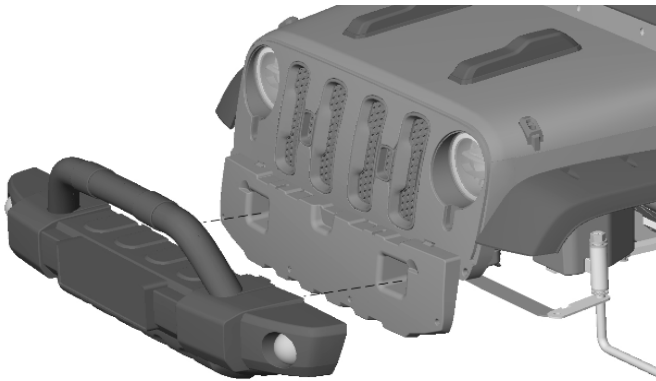
Note: some parts need to be fixed from 2 sides.

Screw Kit		
A	4*Φ 12 Tapping screws	20 pcs: 4 pcs for seat; 2 pcs for guide frame; 2 pcs for front bumper handle frame; 8 pcs for front bumper; 4 pcs for doom light frame
B	M10 lock nut	4 pcs for wheels
C	10*20 shim	4 pcs for wheels
	12*24 shim	4 pcs for wheels

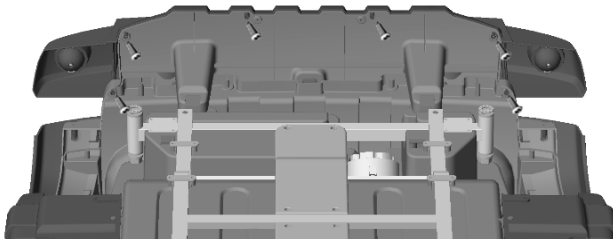
4. Front bumper & wheel eyebrow Assembling



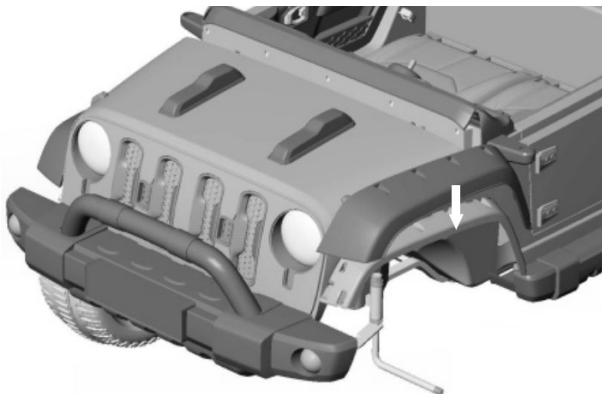
A. Assemble the front bumper firstly and fix it by 2 screws;



B. Install the bumper onto the head of the ride on.

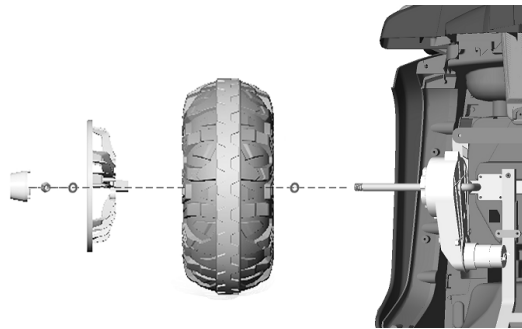


C. Fix the bumper by 6 screws.



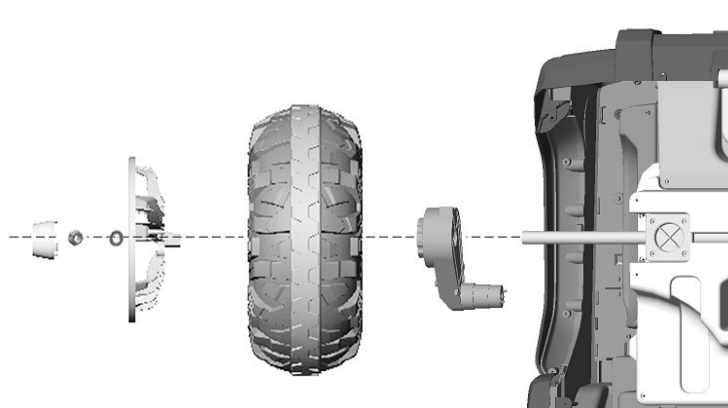
D. Place the front wheel eyebrow onto right position and press it heavily to lock it tightly.

5. Front Wheel Assembling



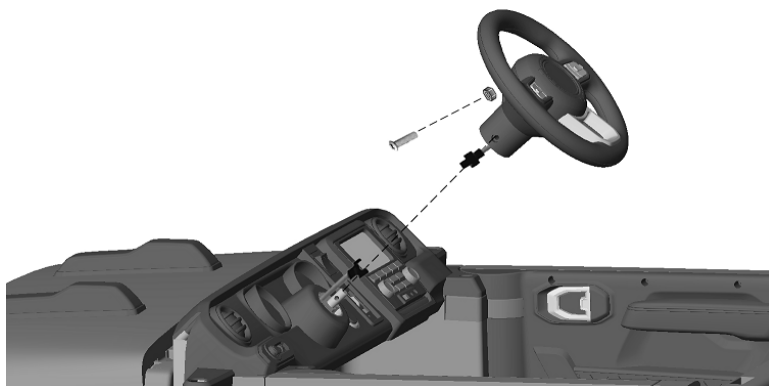
Assemble (the motor/)front washer/wheel/bushing/washer/screws onto the axle, and tighten the screws and fix the wheel cover. (left & right)

6. Rear Wheel Assembling



Assemble the motor/wheel/bushing/washer/screws onto the axle, and tighten the screws and fix the wheel cover. (left & right)

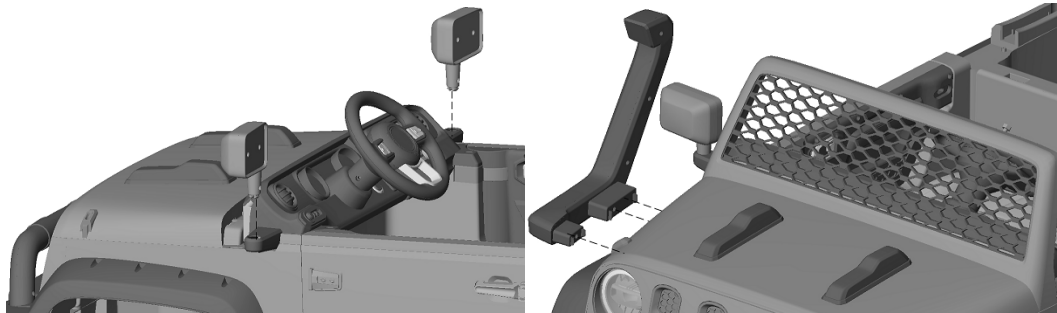
7. Steer pole and wheel Wheel Assembling



Install the steering pole after fixing the steering wheel by screws.

8. Wading Device, windshield, seats assembling

A. Install rear view mirrors firstly till its locked. Install the wading device onto the front right side of the ride on body.

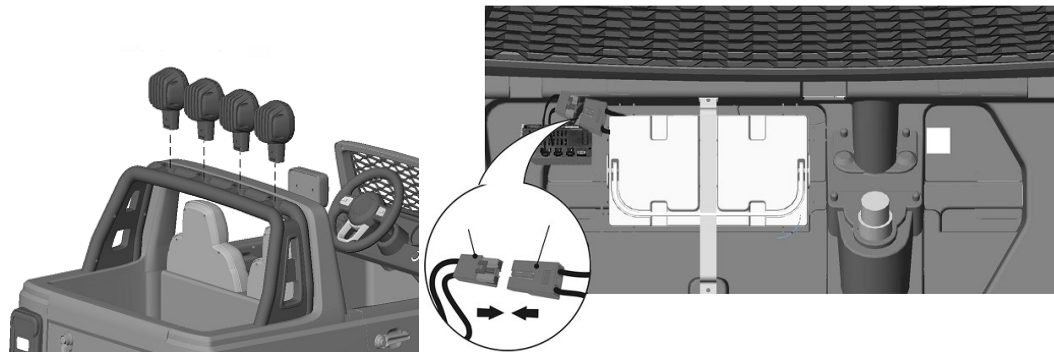


B. Assemble the seat and rear frame & doom light frame onto proper position and fix by screws.

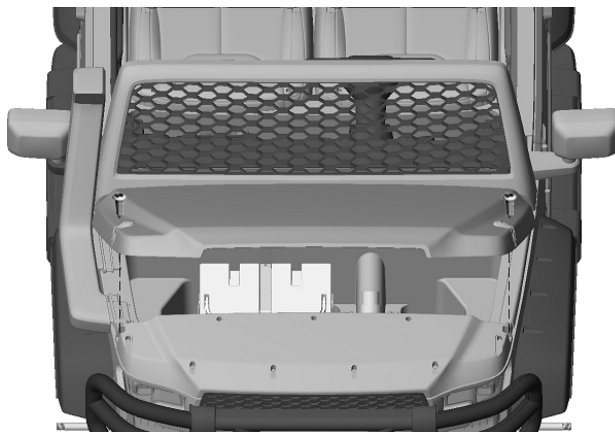


9. Doom light, battery cables, and hood assembling.

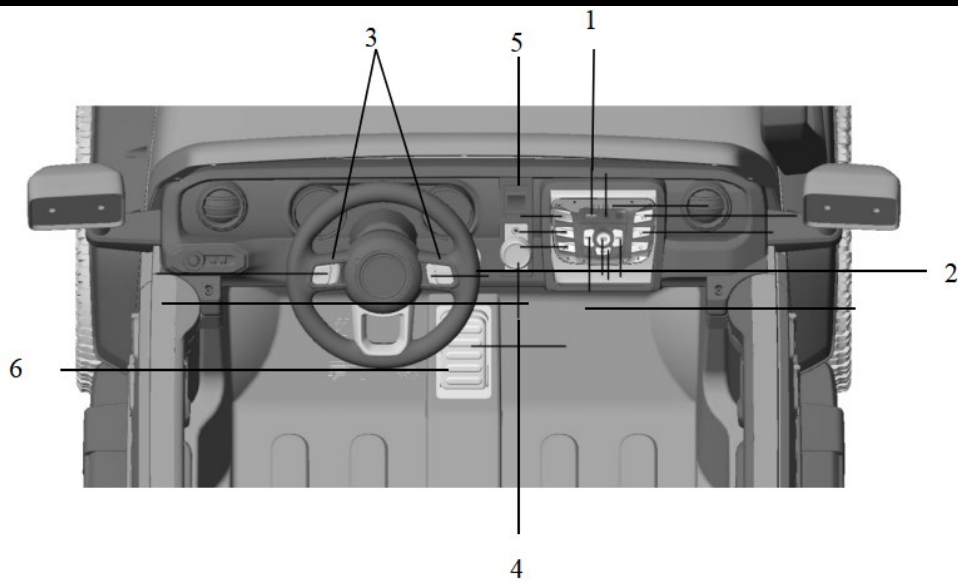
A. Install the decorative lights onto the rear frame accordingly; Connect the battery terminal to the ride on by red-red accordingly;



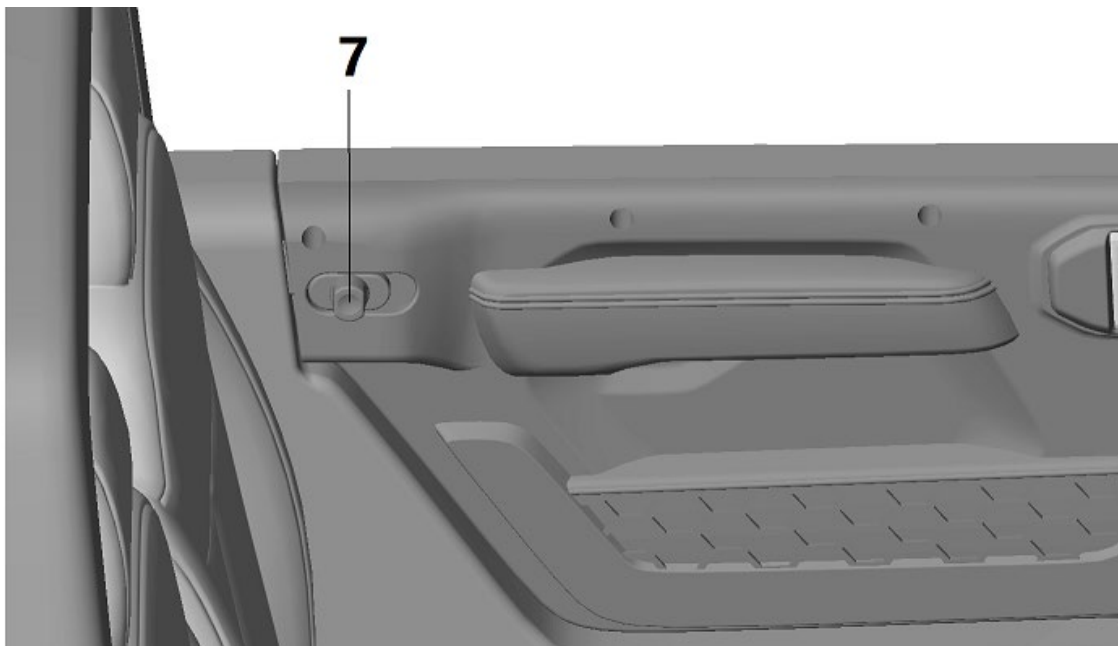
B. Fix the hood onto the front head body part of the ride on and fix by screws;



10. Functions Sketch A

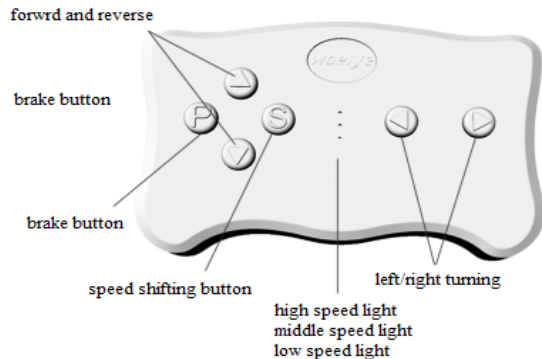


1. Central Multifunction Panel: see point 11.
2. Power Switch: Switch On/off the ride on
3. Horn and music button
4. Drive/reverse switch: switch to drive-neutral-reverse,
5. Speed switch
6. Pedal switch: pedal the switch to move, release to stop gradually.
7. Door switch: Switch to lock/open the door



11. Functions of Remote:

Note: Use screwdriver to get screws off and open battery box, install 2 pc AAA 1.5V battery in, and fix it with screws.



Warning !

**Remote is for adult using
only. Kids are prohibited to
use remote.**

The car is with remote priority function: while it is controlled by remote, the step switch does not work; Disconnect the remote , the step switch works then.

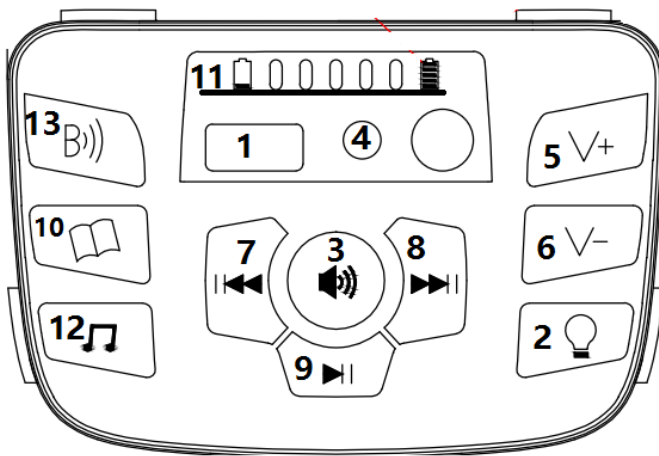
Remote: Open the battery holder and put in 2 pcs AAA LRO3 batteries. If the batteries are well fixed, there are frequency light and speed light will be on. Pls be noted that we supply no battery for the remote.

- 1) . Frequency connection: Press frequency button 2-4 seconds. Power on the car while low speed light flickers. It connects automatically when you see the low speed light keep on. If the light still flickers, take out the battery and restart it again as above steps.
- 2) . Braking Button: press the braking button, the car stops. Press it again, braking function is relieved.
- 3) . Speed button: Press S button to change speed. Press 1 time means speed changing 1 time. 3 lights on the remote means 3 speeds, upper light means high speed, middle light means middle, and the down button is for low speed Notes: Speed shift for forward only.
- 4) Forward/reverse button: It's to control the car to move forward and reverse. Press 1 button, the car will move as ordered, and the speed will get higher gradually to set speed to avoid sudden shock from speed-up.
- 5) Turning right/left button: It's for remote the car to turn to right or left.

Special note:

The remote has energy-saving function. 10 seconds set-aside will make it power off itself, and all lights will be off. Press any button then will make it wake up back to work.

12. Central Multifunctional panel:



1. Storage Device Port
2. Light (no this function)
3. Horn
4. Aux Port
5. VOL Up
6. VOL Down
7. PREV
8. NEXT
9. PLAY/PAUSE
10. Story
11. Power Volume Display
12. Music
13. Mobile Bingo Connection

13. Warnings & Safety Alert:

Warning!

- Choking Hazard: Small parts, Not for kids under 3 years.
- Dispose plastic bags carefully. It's dangerous to kids.
- Adult assembly required. Use care when unpacking as components to be assembled may pose small parts/sharp edge hazard.
- Check if the charger is in good state, including the wire, socket, and all details. Stop use it if it looks broken in some way, till it's fixed.

Don't drive in below areas:

1. Glass, by the river, not flat road, and slope area;
2. Public road and other vehicles and walking people areas;
3. Where it's possible to hit or hit the other things;
4. Other not safe areas.
5. Don't drive in dark evening and night.
6. Don't drive in rain or snow. Don't drive if age or weight is not proper.



14. Special Notes before Charging:

Charging must be done by adult. Children are prohibited to touch charger and battery.

Warning!

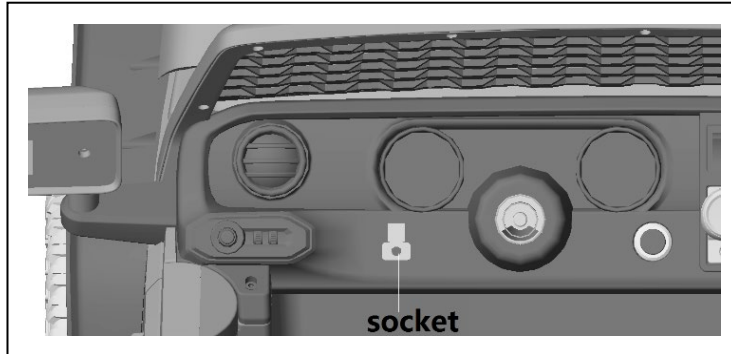
1. Only appointed battery and charger brand are allowed to use to the car.
2. Don't use the car's battery or charger to other products.
3. Don't change the structure or cable lines.
4. Don't connect the positive pole and negative pole by tools.
5. Always keep the battery dry.
6. Keep the battery away from fire or smoking, especially while charging.
7. Charge the car in dry and well-ventilated places.
8. Don't open the battery & charger.
9. Don't put the battery upside down.
10. Don't charge if something wrong with the charger.
11. Battery heats while charging but stop and check it if its too hot.
12. Always keep the battery fastened well.
13. Keep it fully charge if not using, and 1 time per month.
14. Charger and battery are not toys.Keep them away from Children.

- Switch of the car while charging.
- Charge the car for 4-6 hours before 1st time using but no more than 10 hours
- Charge the car on time if the speed gets lower after using.
- Charge the car 8-12 hours every time after using but no more than 20 hours.

15. Warning on battery!

1. Don't change the structure and electric cables. Repairing must be by professional staff.
2. Don't use it in other functions.
3. Connect the battery in right order.
4. Don't connect battery in short circuit.
5. No charging battery cant be charged.
6. Charging must be arranged by Adult, or by their guidance.
7. Don't mixed different types of battery in one car.
8. Get rid of used battery properly. Its not a toy.

16. Charging warnings:



- 1) Connect the charger to the the socket directly.
- 2) Put the charge plug into right socket of alternating currant power. Charging must be done by adult. Please read related notes for charging carefully.

17. Fuse Maintenance:

**Inspect the charger carefully regularly to check if everything is OK.
If there is somewhere with any problem, stop using is till repaired.**

Fuse: The car is with self reset fuse. When its over loaded or used improperly,the fuse will power off the car for 15-20 seconds, and then to reset it. It's installed under the seat.

To avoid related troubles from the fuse

- 2) Don't load over 60 kg
 - 3) Don't draft anything by the car.
 - 4) Don't spoil wires and electric parts with water or other liquids.
 - 5) Don't change the electric system and structure freely.
- Inspect the charger carefully regularly to check if everything is OK. If there is somewhere with any problem, stop using is till repaired.
 - Lubricate related metal parts by some lubricating oil after period using to avid abrasion and rust.
 - The car should be placed away from fire and avoid long time strong sunshine. Don't turn upside and down and tilt.Place it indoor in wet weather or cover it with tarp.
 - The car should be kept away from hot objects such as oven or heater and etc to avoid hurting the plastic parts. Keep the car away from the easy inflammable items to avid fir.
 - To maintain the battery, charge it every time after using; Charging must be fixed by adult; Always keep it fully charged before long time keep, and charge it 1 time a month is necessary for keeping.
 - Clean the car with dry textile. Don't use chemical liquids to clean. Don't use soap and water to clean. Don't drive the car in raining or snowing weather, which will hurt the motor, battery, and cables.
 - Power of the car if keep for long time keeping.
 - Use proper fuse accordingly to this car.
 - Don't change the cable lines and structures. Repairing must be arranged by professional staff.

18. Trouble Shooting

Troubles	Inspections	Solutions
Motor not rotating	<ol style="list-style-type: none"> 1. Check if fuse disconnected? 2. Check if pedal switch in poor contact. 3. Check if motor terminal welded. 4. Check if motor lead wires connected. 5. Connect motor & battery, check if OK. 	<p>Yes, restart the car; No, check the next;</p> <p>No, repair the contact. Yes, check the next;</p> <p>No, connect it. Yes, check the next;</p> <p>No, connect it. Yes, check the next;</p> <p>No, change the motor; yes, control board broken. Contact with the shop.</p>
Only forward or only reverse	<ol style="list-style-type: none"> 1. check if forward/reverse switch well connected. 2. Check if all cables are well connected. 	<p>No, change the switch; Yes, get to the next;</p> <p>No, connect them; Yes, control board broken. Contact with the seller.</p>
Over low speed	<ol style="list-style-type: none"> 1. check the battery voltage? 2. Check if the speed is faster if connect the motor to the battery directly? 	<p>No, charging; yes, get to the next. Yes, driving control board need to be repaired. Contact with the seller.</p>
No feedback from car to remote	<ol style="list-style-type: none"> 1. Check if braking works. 2. Check if remote with battery. 3. Check if receiving cables well connected. 	<p>Yes, press braking to relief brake; No, normal. Yes, connect it ; No, install battery. Yes, connect all cables again. No, Normal.</p>
Ineffective charging	<ol style="list-style-type: none"> 1. Check if battery cable connected. 2. Check if charger get heated while charging. 	<p>Yes, connect them. No, get to the next. No, broken charger. Contact with the seller.</p>
No sound and light.	<ol style="list-style-type: none"> 1. Check if sound & light switch well connected? 2. Check if all cables well connected from the battery to other parts of the car. 	<p>No, change a new switch; Yes, check the next. No, reconnect them.</p>
Wheels no turning	<ol style="list-style-type: none"> 1. Check if the driver is over 100 KG. 2. Check if road is not flat. 3. Check if free wheel turning OK. 	<p>Yes, normal; No, get to next. Yes, normal, the car moves normal on flat road. No, get to next. No, the wheels and axles are OK.</p>
The car stops once a while	<ol style="list-style-type: none"> 1. check the battery voltage. 2. Check if the speed is faster if connect the motor to the battery directly? 	<p>No, charging; yes, get to the next. Yes, driving control board need to be repaired. Contact with the seller.</p>

 **WARNING:**

Plastic bags and small parts inside may be dangerous.
Keep away from the reach of children to avoid suffocation and other possible hazards.

 **WARNING:**

**DISPOSAL OF BATTERIES: CONTAINS SEALED LEAD ACID BATTERY.
BATTERY MUST BE RECYCLED.**

Dispose old batteries at an approved battery dumping station;
Contact your local environmental protection agency office for additional information.



WARNING!

Adult assembly required.
Use care when unpacking as components to be assembled may pose small parts/sharp edge hazard.
Never leave child unattended.
To reduce the risk of injury, adult supervision is required.
The ride on is unsuitable for children under 36 months due to its maximum speed;
Maximum user weight is 60 kg.
Always sit on the seat.
Always wear shoes, and never allow more than 2 riders.
Protective equipment should be worn.
Never use in roadways, near motor vehicles, on or near steep inclines or steps, swimming pools or other bodies of water.
Direct adult supervision is required. Always keep child in vision when child in vehicles.

Execution Standard:

EN71 -1: EN71-1:2014+A1:2018 for mechanical and physical properties;
EN71-2: 2011+A1:2014 flammability test;
EN71-3:2019 on migration of certain elements;
EN62115:2005+A12:2015 on safety of electric toy Excluding clause Excluding Annex E & Annex ZC & Annex;
U.S. ASTM F963-17 For Physical And Mechanical Tests Excluding Section 4.25, 5.15, 6.5, 6.6, 7.2;
U.S. ASTM F963-17 For Flammability Test Of Materials Other Than Textile Materials;
U.S. ASTM F963-17 Section 4.3.5.2(2)(b) For Soluble Elements Content For Non-Surface Coating Materials;
U.S. ASTM F963-17 For Soluble Elements Content In Surface Coating;
U.S. ASTM F963-17 For Total Lead Content.

MADE IN CHINA

